

B400.6

Хвостовики по MAS 403 BT Shanks MAS 403 BT

Код / Code	Рис./ Рис.	K	d	D	L	L ₁	L ₂	Кг/Кг
B400.6.40.035.S25	2	40	25	50	35	18	119	1,10
B400.6.40.100.S25	2	40	25	50	100	18	183	2,10
B400.6.50.075.S25	2	50	25	50	75	18	195	4,10
B400.6.50.150.S25	2	50	25	50	150	18	270	5,00
B400.6.40.050.S32	1	40	32	63	50	20	136	1,60
B400.6.40.120.S32	1	40	32	63	120	20	207	3,30
B400.6.50.085.S32	2	50	32	63	85	20	207	4,60
B400.6.50.160.S32	2	50	32	63	160	20	282	6,40
B400.6.40.050.S40	1	40	40	80	50	24	140	1,90
B400.6.50.090.S40	2	50	40	80	90	24	216	5,50
B400.6.50.170.S40	2	50	40	80	170	24	296	8,70
B400.6.50.250.S40	2	50	40	80	250	24	376	11,80
B400.6.50.050.S48	2	50	48	80	50	30	182	4,30
B400.6.50.100.S48	2	50	48	80	100	30	232	6,10
B400.6.50.150.S48	2	50	48	80	150	30	282	8,00
B400.6.50.200.S48	2	50	48	80	200	30	332	9,80
B400.6.50.050.S60	2	50	60	92	50	32	184	4,60

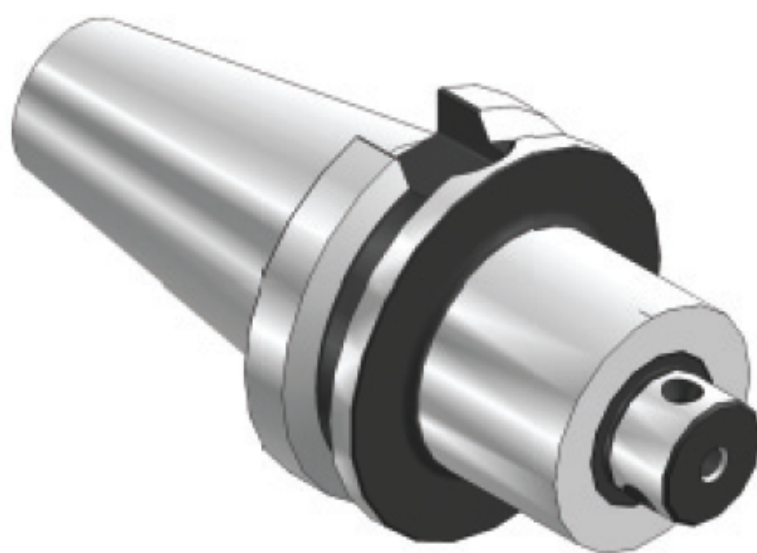


Рис. 1
Pic. 1

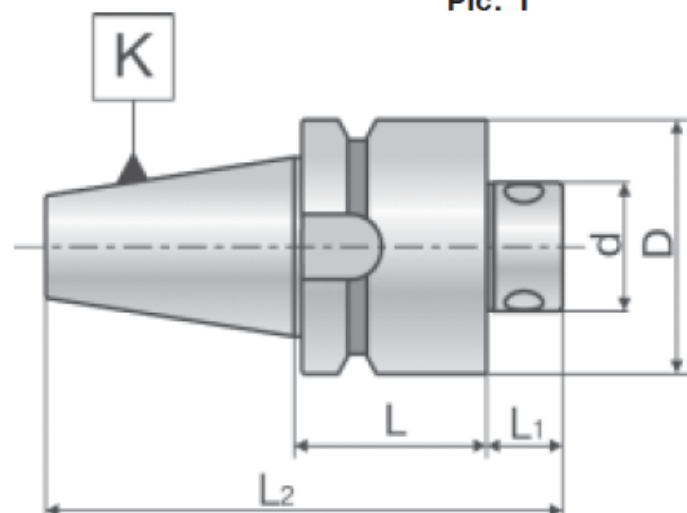


Рис. 2
Pic. 2

