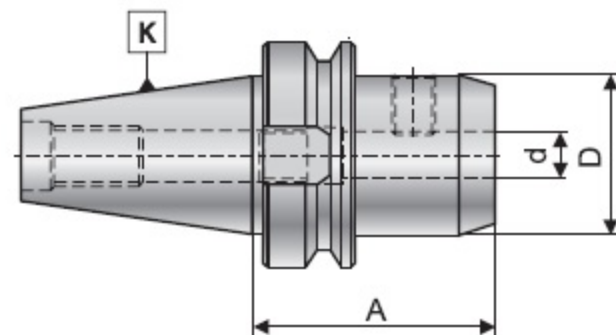


B208.6

MAS 403 BT
Shank MAS 403 BT

Код / Code	K	d	D	A	Винт/Screw	Кг/kg
B208.6.40.063.06	40	6	25	63	S208.06.M6	1,10
B208.6.40.063.08	40	8	28	63	S208.08.M8	1,10
B208.6.40.063.10	40	10	35	63	S208.10.M10	1,10
B208.6.40.063.12	40	12	42	63	S208.12.M12	1,30
B208.6.40.063.14	40	14	44	63	S208.12.M12	1,30
B208.6.40.063.16	40	16	48	63	S208.16.M14	1,40
B208.6.40.063.18	40	18	50	63	S208.16.M14	1,40
B208.6.40.063.20	40	20	52	63	S208.20.M16	1,40
B208.6.40.100.25	40	25	65	100	S208.25.M18	2,60
B208.6.40.100.32	40	32	72	100	S208.32.M20	2,80

B208.6.50.070.06	50	6	25	70	S208.06.M6	3,60
B208.6.50.070.08	50	8	28	70	S208.08.M8	3,60
B208.6.50.070.10	50	10	35	70	S208.10.M10	3,70
B208.6.50.080.12	50	12	42	80	S208.12.M12	3,90
B208.6.50.080.14	50	14	44	80	S208.12.M12	3,90
B208.6.50.080.16	50	16	48	80	S208.16.M14	4,10
B208.6.50.080.18	50	18	50	80	S208.16.M14	4,10
B208.6.50.080.20	50	20	52	80	S208.20.M16	4,10
B208.6.50.100.25	50	25	65	100	S208.25.M18	4,80
B208.6.50.105.32	50	32	72	105	S208.32.M20	5,30
B208.6.50.120.40	50	40	90	120	S208.40.M20	6,80



для $d \geq 25$

